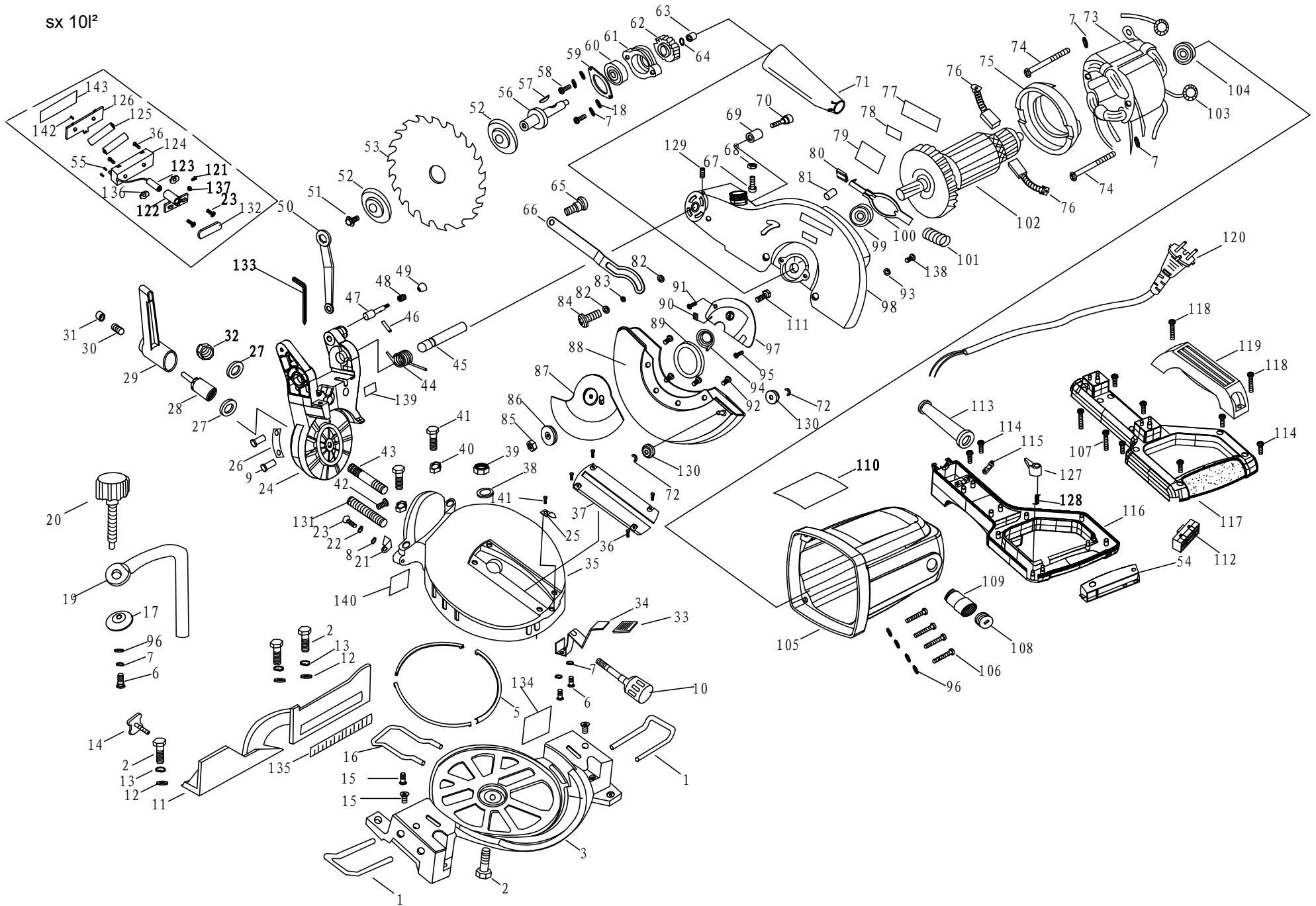


sx 101²



sx 10 I²



| Skizze | Art.Nr. | Benennung | description |
|--------------------|--------------|--------------------------|------------------------|
| 001 | 390 1106 012 | | |
| 002 | 390 1106 013 | | |
| 003 | 390 1106 014 | Gestell | base |
| 004 | 390 1106 015 | | |
| 005 | 390 1106 016 | Stahlplatte | steel plate |
| 006 | 390 1106 017 | | |
| 007 | 390 1106 018 | | |
| 008 | 390 1106 019 | | |
| 009 | 390 1106 020 | | |
| 010 | 390 1106 021 | Drehgriff | handle |
| 011 | 390 1106 022 | Anschlag | fence |
| 012 | 390 1106 023 | | |
| 013 | 390 1106 024 | | |
| 014 | 330 5025 074 | Sterngriffschraube M6x15 | Star grip bolt |
| 015 | 390 1106 026 | | |
| 016 | 390 1106 027 | | |
| 017 | 390 1106 028 | | |
| 17, 19-20, 6-7, 96 | 390 1106 029 | Werkstückspanner | workpiece holder |
| 018 | 390 1106 030 | | |
| 019 | 390 1106 031 | | |
| 020 | 390 1106 032 | | |
| 021 | 390 1106 033 | | |
| 022 | 390 1106 034 | | |
| 023 | 390 1106 035 | | |
| 024 | 390 1106 036 | | |
| 025 | 390 1106 037 | Zeiger | pointer |
| 026 | 390 1106 038 | | |
| 027 | 390 1106 039 | Scheibe | washer |
| 028 | 390 1106 040 | | |
| 029 | 390 1106 041 | Klemmgriff | clamping handle |
| 030 | 390 1106 042 | | |
| 031 | 390 1106 043 | | |
| 032 | 390 1106 044 | | |
| 033 | 390 1106 045 | Klemmgriff | clamping handle |
| 034 | 390 1106 046 | Klemmblech | clamping plate |
| 035 | 390 1106 047 | Drehtisch | turntable |
| 036 | 390 1106 048 | Senkschraube M4x8 | countersunk screw M4x8 |
| 037 | 390 1106 049 | Tischeinlage | table insert |
| 038 | 390 1106 050 | | |
| 039 | 390 1106 051 | | |
| 040 | 390 1106 052 | | |
| 041 | 390 1106 053 | | |
| 042 | 390 1106 054 | | |
| 043 | 390 1106 055 | | |
| 044 | 390 1106 056 | Feder | spring |
| 045 | 390 1106 057 | | |
| 046 | 390 1106 058 | | |
| 047 | 390 1106 059 | | |
| 048 | 390 1106 060 | | |
| 049 | 390 1106 061 | | |
| 050 | 390 1106 062 | Werkzeugschlüssel | wrench |
| 051 | 390 1106 063 | Schraube | screw |
| 052 | 390 1106 064 | Sägeblattflansch | sawblade flange |
| 053 | 390 1106 065 | | |
| 054 | 390 1106 066 | Drücker | trigger |
| 055 | 390 1106 067 | | |
| 056 | 390 1106 068 | | |
| 56 - 64, 7, 18 | 390 1106 069 | Sägewelleneinheit | saw shaft device |
| 057 | 390 1106 070 | | |

SX 10 I²



| Skizze | Art.Nr. | Benennung | description |
|----------|--------------|----------------------------------|-------------------------------|
| 058 | 390 1106 071 | | |
| 059 | 390 1106 072 | | |
| 060 | 390 1106 073 | | |
| 061 | 390 1106 074 | | |
| 062 | 390 1106 075 | | |
| 063 | 390 1106 076 | | |
| 064 | 390 1106 077 | | |
| 065 | 390 1106 078 | Schraube | screw |
| 066 | 390 1106 079 | Gelenk | link |
| 067 | 390 1106 080 | | |
| 068 | 390 1106 081 | | |
| 069 | 390 1106 082 | | |
| 070 | 390 1106 083 | | |
| 071 | 390 1204 034 | Spänesack | dust bag |
| 72 + 130 | 008 8002 739 | Anschlagrolle mit Sicherungsring | |
| 073 | 390 1106 086 | Stator | stator |
| 074 | 390 1106 087 | | |
| 075 | 390 1106 088 | | |
| 076 | 390 2202 119 | Kohlebürsten (Satz = 2 Stück) | carbon brushes (set = 2 pcs.) |
| 077 | 390 1106 090 | | |
| 078 | 390 1106 091 | | |
| 079 | 390 1106 092 | | |
| 080 | 390 1106 093 | | |
| 081 | 390 1106 094 | | |
| 082 | 0290 2106 | Beilagscheibe A6 | flat washer A6 |
| 083 | 0279 8532 | Kreuzschlitzschraube M6x12 | cross head screw M6x12 |
| 084 | 390 1106 095 | | |
| 085 | 390 1106 096 | | |
| 086 | 390 1106 097 | | |
| 087 | 390 1106 098 | | |
| 088 | 390 1106 099 | unterer Sägeblattschutz | lower sawblade guard |
| 089 | 390 1106 100 | | |
| 090 | 390 1106 101 | | |
| 091 | 390 1106 102 | | |
| 092 | 390 1106 103 | | |
| 093 | 390 1106 104 | | |
| 094 | 390 1106 105 | | |
| 095 | 390 1106 106 | | |
| 096 | 390 1106 107 | | |
| 097 | 390 1106 108 | | |
| 098 | 390 1106 109 | | |
| 099 | 390 1106 110 | | |
| 100 | 390 1106 111 | | |
| 101 | 390 1106 112 | | |
| 102 | 390 1106 113 | Anker | rotor |
| 103 | 390 1106 114 | | |
| 104 | 390 1106 115 | | |
| 105 | 390 1106 116 | | |
| 106 | 390 1106 117 | | |
| 107 | 390 1106 118 | Schlossschraube M5x40 | cross pan head screw M5x40 |
| 108 | 390 1203 249 | Kohlebürstenabdeckung | carbon brush cover |
| 109 | 390 1106 120 | Kohlebürstenhalter | carbon brush holder |
| 110 | 390 1106 121 | | |
| 111 | 390 1106 122 | | |
| 112 | 390 1106 011 | Schalter | switch |
| 113 | 390 1106 123 | | |
| 114 | 390 1106 124 | Schlossschraube M4x15 | cross pan head screw M4x15 |
| 115 | 390 1106 125 | | |
| 116 | 390 1203 245 | unterer Handgriff | lower handle |

SX 10 I²



| Skizze | Art.Nr. | Benennung | description |
|--|--------------|------------------------------|----------------------------|
| 117 | 390 1203 244 | oberer Handgriff | upper handle |
| 118 | 390 1106 128 | Schlossschraube M6x18 | cross pan head screw M6x18 |
| 119 | 390 1203 243 | Hangriff | handle |
| 120 | 390 1106 130 | | |
| 121 | 390 1106 131 | | |
| 121-126, 132, 136-137, 142-143, 23, 36, 55 | 390 1203 251 | Laser kpl. | laser cpl. |
| 122 | 390 1106 133 | | |
| 123 | 390 1106 134 | | |
| 124 | 390 1106 135 | | |
| 125 | 390 1106 136 | | |
| 126 | 390 1106 137 | | |
| 127 | 390 1106 138 | Auslöser | locking button |
| 128 | 390 1106 139 | Feder | spring |
| 129 | 390 1106 140 | | |
| 130 | 390 1106 141 | Siehe Teil 72 | |
| 131 | 390 1106 142 | | |
| 132 | 390 1106 143 | | |
| 133 | 390 1106 144 | | |
| 134 | 390 1106 145 | | |
| 135 | 390 1106 146 | Skala | scale |
| 136 | 390 1106 147 | | |
| 137 | 390 1106 148 | | |
| 138 | 390 1106 149 | | |
| 139 | 390 1106 150 | | |
| 140 | 390 1106 151 | | |
| 141 | 390 1106 152 | | |
| 142 | 390 1106 153 | | |
| 143 | 390 1106 154 | | |
| 72, 85-92, 94-95, 97, 111, 130 | 390 1106 155 | unterer Sägeblattschutz kpl. | lower sawblade guard cpl. |